

TAKSTAR® 得胜



MG-6系列 广播防水音柱

MG-6 Series Broadcast Waterproof Column Speakers

使用说明
User Manual

MG-6系列广播防水音柱

■ 前言

感谢您选购得胜MG-6系列广播防水音柱,为了您能够更好地了解使用本产品,建议您在使用前仔细阅读本说明书。

若存在有疑问或者您有宝贵的建议,可通过拨打得胜官方服务热线400 6828 333或微信扫描二维码关注得胜官方公众号与我们联系。



■ 产品特性

- IP45级防水,适合在各种户外场合使用,稳定广播;
- 全铝合金外壳,防晒、防摔性能良好,经久耐用,不变形;
- 声音通透亮丽,外观精美,专业防尘设计,有效保护内部结构;
- 远射程设计,提升覆盖范围,传播距离更远;
- 配套专用安装支架,便于音柱的安装和固定。

■ 适用范围

适用于商场、小区、车站、学校、公园、企业单位等场合

■ 包装清单

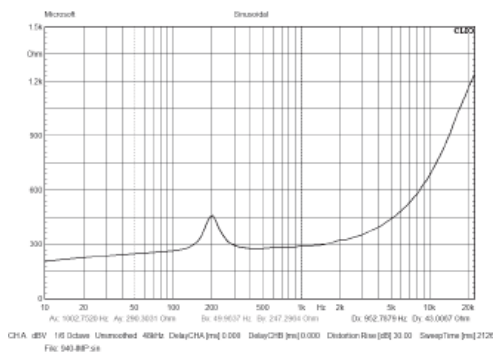
音柱	1只
支架/螺丝	1套
说明书	1份

MG-6系列 广播防水音柱

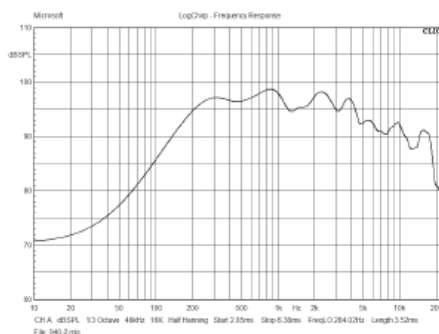
■ 技术参数

型号	MG-6120YZ		MG-6200YZ	
输入电压	70V	100V	70V	100V
功率(黄-蓝)AES	30W	60W	50W	100W
功率(黄-棕)AES	60W	120W	100W	200W
灵敏度	95dB		97dB	
最大声压级	115dB		120dB	
频率响应	140-15kHz			
低音喇叭	6"单元×3		6"单元×5	
安装对角尺寸(mm)	660±5		1080±5	
防水等级	IP45		IP45	
材料	铝合金		铝合金	
重量(kg)	约6.2kg		约10.2kg	
产品尺寸	740×227×125mm		1160×227×125mm	

阻抗曲线



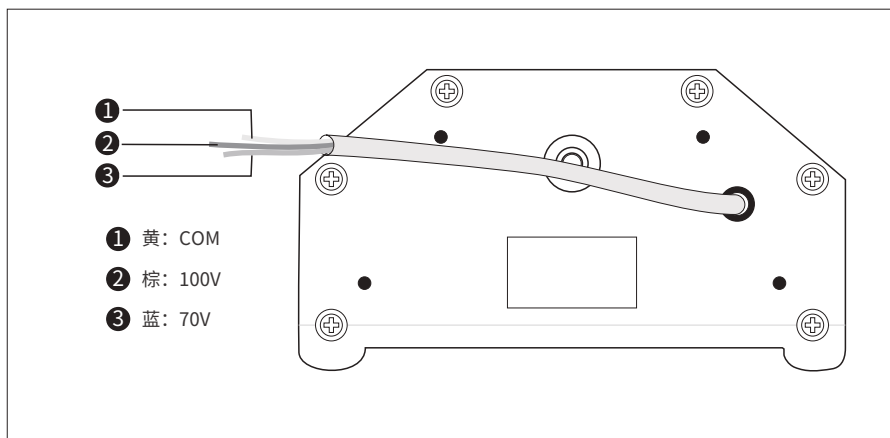
频响曲线



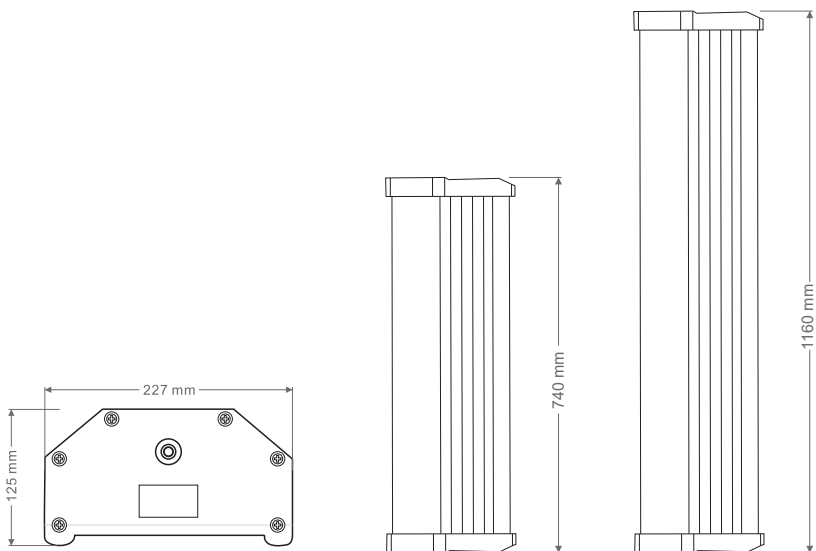
注: 以上数据由得胜实验室测试得到, 并拥有最终解释权!

MG-6系列 广播防水音柱

■ 功能示意



■ 产品尺寸图

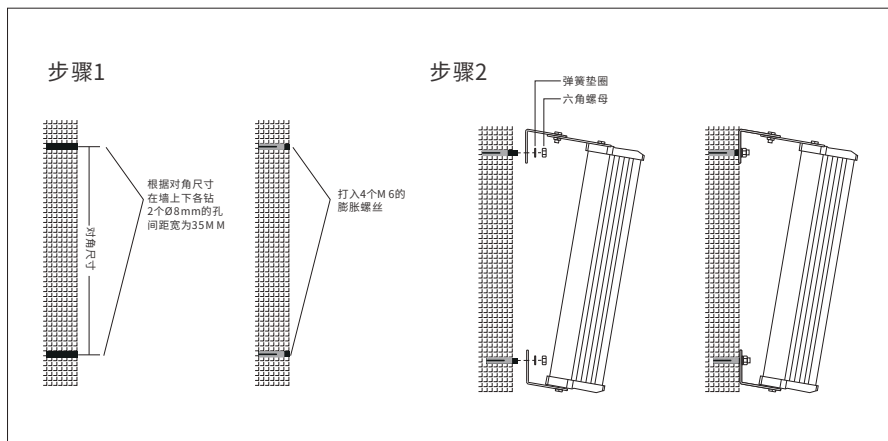


MG-6系列 广播防水音柱

■ 使用说明

安装方法：

1. 请依据技术参数表中的产品型号, 查找相对应安装对角尺寸来确定打孔位置。
2. 详细安装步骤请参考下图：



步骤1

1. 根据对角尺寸在墙上下各钻2个 $\Phi 8$ mm的孔间距宽为35mm
2. 打入4个M6的膨胀螺丝

步骤2

1. 弹簧垫圈
2. 六角螺母

■ 安全警示

为避免电击、高温、着火、辐射、爆炸、机械危险以及使用不当等可能造成的人身伤害或财产损失, 使用本产品前, 请仔细阅读并遵守以下事项:

1. 使用产品时请确认所连设备与本产品是否匹配以及合理调整音量大小, 不要在超过产品功率及大音量下长时间使用, 以免造成产品异常;

MG-6系列 广播防水音柱

2. 使用中若发现有异常(如冒烟、异味等),请立即关闭电源开关并拔掉电源插头,然后将产品送售后服务网点检修;
3. 消费者若使用电源适配器供电,则应购买配套使用获得CCC认证并满足标准要求的电源适配器;
4. 本产品及配件都应放置在室内干燥通风处,请勿长期存放在潮湿、灰尘多的环境,使用中避免靠近火源、雨淋、进水、过度碰撞、抛掷、振动本机及覆盖通风孔,以免损坏其功能;
5. 使用该产品时需遵守相关安全规定,法律法规明确禁止使用场合请勿使用本产品,以免导致意外事故;
6. 请不要自行拆机改装或维修,以防止出现人身伤害,如有问题或服务需求请联系当地售后服务网点跟进处理。

■ 关于图标含义解释



此符号表示,根据WEEE指令(2012/19/EU)和国家法律,由于这种类型的废弃物会有潜在的有害物质,可能对环境和人类健康产生负面影响,所以本产品不应与您的家庭垃圾一起处置,应将本产品交由授权的电气和电子设备(WEEE)回收站回收。同时,您在正确处理本产品的同时将有助于自然资源的有效利用。如需了解更多有关您可以在何处放置废物回收设备的信息,请联系您当地的城市办事处、废物管理局或家庭废物处理服务部门。

■ 关于本说明书

本说明书中内容符合截止印刷之日的技术规格。由于得胜公司会不断改进产品,本说明书可能不符合您的特定产品的技术规格。要获取最新版说明书,请访问得胜官网,然后下载说明书文件。技术规格、设备或另售的附件在各个地区可能有所不同,如有问题请与当地得胜销售网点确认。如需更多支持和深层产品信息,请浏览得胜官方网站:

<https://www.takstar.com>

版权所有 ©2025 得胜。得胜、TAKSTAR及其各自标志是得胜公司在中国和/或其他国家/地区的注册商标或商标。所有其它商标均是其各自所有者的财产。

MG-6 Series Broadcast Waterproof Column Speakers

■ Preface

Dear Customer,

Thank you for purchasing Takstar MG-6 Series Broadcast Waterproof Column Speakers. In order to better understand and use the product, please read this manual carefully.

If you have any questions or suggestions, please contact our local dealer.

■ Features

- IP45 waterproof, suitable for various outdoor occasions with stable broadcasting.
- Full aluminum alloy housing, sunproof, shatterproof, durable and non-deformable.
- Clear and bright sound, elegant appearance, professional dustproof design for effective internal structure protection.
- Long-range design enhances coverage and enables longer transmission distance.
- Dedicated mounting bracket for easy installation and fixation of the column speaker.

■ Applications

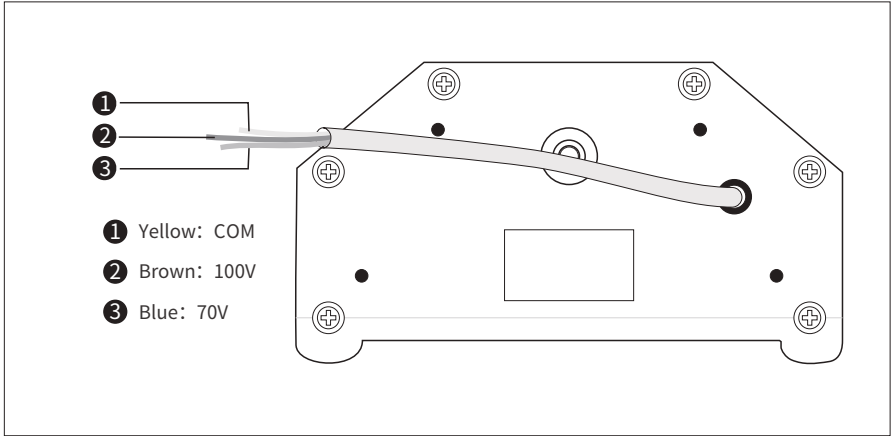
Suitable for shopping malls, residential areas, stations, schools, parks, enterprises and other occasions.

■ Package Contents

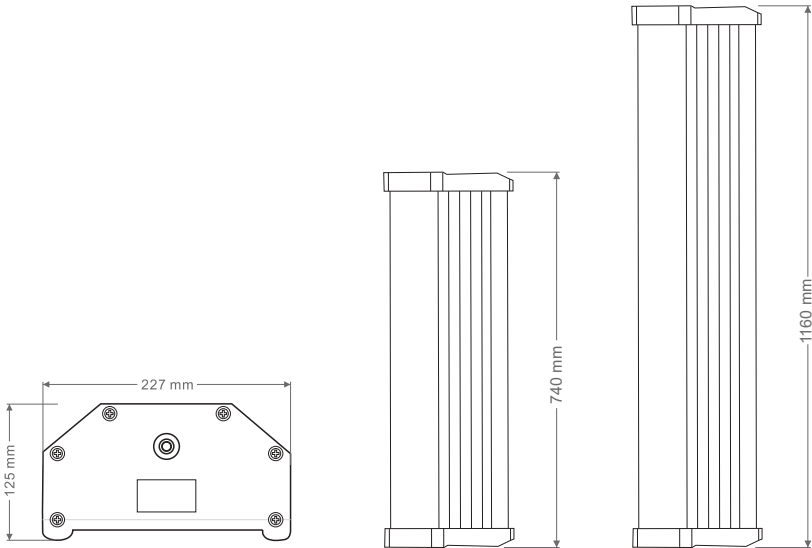
- 1 × Column Speaker
- 1 × Bracket & Screws
- 1 × User Manual

MG-6 Series Broadcast Waterproof Column Speakers

■ Function Descriptions



■ Product Dimensions Diagram

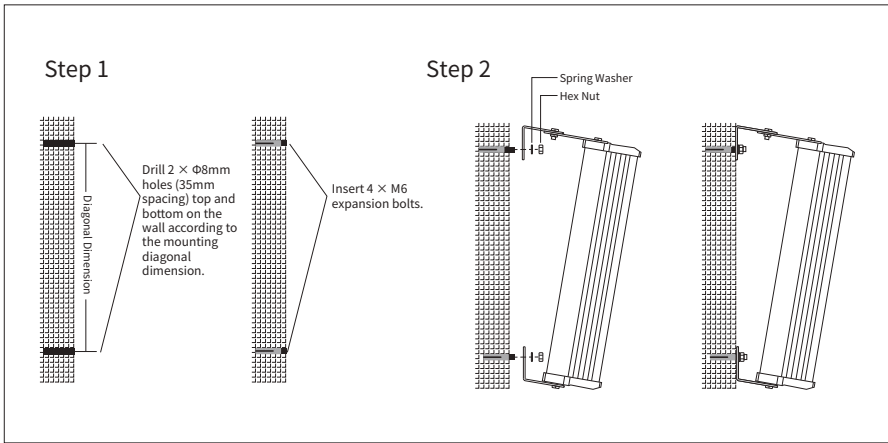


MG-6 Series Broadcast Waterproof Column Speakers

■ Operating Instructions

Installation Method

1. Please refer to the product model in the specifications sheet, match the corresponding mounting diagonal dimension to determine drilling positions.
2. For detailed steps, refer to the diagram below:



Step 1

1. Drill 2 × Ø8mm holes (35mm spacing) top and bottom on the wall according to the mounting diagonal dimension.
2. Insert 4 × M6 expansion bolts.

Step 2

1. Spring Washer
2. Hex Nut

MG-6 Series Broadcast Waterproof Column Speakers

■ Safety Instructions

To avoid electric shock, overheat, fire, radiation, explosion, mechanical risk and injury or property loss due to improper use, please read and observe the following items before use:

1. Please check if the power of the connected equipment matches with that of this product before operation. Adjust the volume to proper level during operation. Do not operate at over-power or high-volume level for extended time to avoid product malfunction.
2. If there is any abnormality during use (e.g., smoke, strange odor), please kill the power switch and unplug from power source, then send the product to the local after-sales service for repair.
3. Power adapter used, if any, should be approved by CCC certification or similar standards and comply with the power supply requirements.
4. Keep this product and its accessories in a dry and ventilated area. Do not store in a humid or dusty area for extended time. Keep away from fire, rain, liquid intrusion, bumping, throwing, vibrating, or from blocking any ventilation openings, to prevent malfunction.
5. Please abide by safety rules during operation. Do not use the product in places prohibited by laws or regulations to avoid accident.
6. Do not disassemble or repair the product unauthorized to avoid injury. If you have any questions or require any services, please contact our local after-sales service.

MG-6 Series Broadcast Waterproof Column Speakers

■ Label Meanings



This symbol indicates that this product should not be disposed of with your household waste, according to the WEEE directive (2012/19/EU) and your national law. This product should be handed over to an authorized collection site for recycling waste electrical and electronic equipment (WEEE). Improper handling of this type of waste could have a possible negative impact on the environment and human health due to potentially hazardous substances that are generally associated with WEEE. At the same time, your cooperation in the correct disposal of this product will contribute to the effective usage of natural resources. For more information about where you can drop off your waste equipment for recycling, please contact your local city office, waste authority, or your household waste disposal service.

■ About This Manual

This manual contains up-to-date technical specifications as of printing. However, specifications contained herein may not conform to your particular product since Takstar is constantly improving its products. Also, specifications, devices or accessories available may vary from region to region. If you have any questions, please contact our local sales outlet. For the latest version/more information, please visit our website: <https://www.takstar.com/>

Copyright ©2025 TAKSTAR. TAKSTAR, 得胜 and their respective logos are registered trademarks or trademarks of Takstar company in the PRC, and/or other countries. All other trademarks are the property of their respective owners.

产品服务保证书

姓名：_____ 电话：_____ 地址：_____

商品：_____ 型号：_____ 购买日期：_____ 年 ___ 月 ___ 日

维修记录栏 (由维修员填写)	维修员签名	日期

◆ 广东得胜电声有限公司 ◆ 电话：400-6828-333 ◆ 地址：中国广东省惠州市博罗县龙溪街道夏寮村委会大门村夏照(得胜创业园)

注意事项：

1. 本单为保修凭证，请用户妥善保管，如有遗失，恕不保修或退换。
2. 保修期限制：购买之日起十二个月内。
3. 除了不可抗力事件损坏外，由本公司负责，免费维修。
4. 如属保管不善或使用不当造成的损坏，维修点将酌情收费。
5. 擅自拆卸维修者，不予保修。
6. 以上保修条款仅限于中国市场适用（不含港澳台地区）。



扫一扫，了解更多产品
Scan for more
product information

广东得胜电声有限公司制造

地址: 中国广东省惠州市博罗县龙溪街道夏寮村委会
大门村夏照 (得胜创业园)

服务热线: 400 6828 333 传真: 0752 6383950

邮箱: xs@takstar.com

网址: www.takstar.com

Designed & Manufactured by:

Guangdong Takstar Electroacoustic Co., Ltd.

Address: Takstar Innovation Park, Xiazhao,

Damen Village, Xialiao Village Committee,

Longxi Street, Boluo County, Huizhou City,

Guangdong, P.R. China

Tel: 86 752 6383644 Fax: 86 752 6383952

Email: sales@takstar.com

Website: www.takstar.com